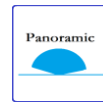


2x4MP 180° Panoramic Network Full color Camera



180°FOV



8MP



VCA



Perimeter



F1.2



Voice



PoE/DC12V



IP67

TD-6242E3N(A/PE/WR2)



Features:

- Dual 4MP video modules to stitch one 8MP camera
- Wide angle coverage: 180°H x 65° V , equals to 2pcs of 2.8mm IPC
- support ±75° flip.
- 6.5m x 13m coverage for AI detection and capture human face, 25mx50m for AI detection invaders.
- max 8MP real-time, with H.265/264 encoder.
- Starlight technology, with F1.0 large aperture lens, white light illuminators, provide 24Hours color image.
- auto switch to white-light (under 0.3lx), 4pcs white LEDs with warm yellow.
- Warm white light supplement in pitch black for eye safety.
- AI-assistant human invader detection, 1.5TOPS high computing power, mor than 15 persons per scene.
- ONVIF specifications, interoperability between network video products, regardless of manufacturer
- Rich Interface: RJ45, SD Card, Alarm, Audio
- Built-in MIC &speaker, dual-way voice conversation.
- Full metal body, IP67 water ingress, IK10 vandal-proof,6KV lightning protection, indoor/outdoor
- One RJ45 Network cable, built-in bracket, quick deployment
- One IP address, easy configuration and management
- Support both PoE and DC12V, Low power design , directly connected to PoE NVR.
- Confirms to data protection regulations of major countries.

Application:

High-level security and surveillance application of area intrusion, perimeter protection, which requires no blind zone and full color at 7x24H, such as jail, electric center, bank, jewelry store, medicine store, micro-electronics and semiconductor lab, biological and chemical lab. Suggestion installation height: 2.8m-5m.

SPECIFICATION:

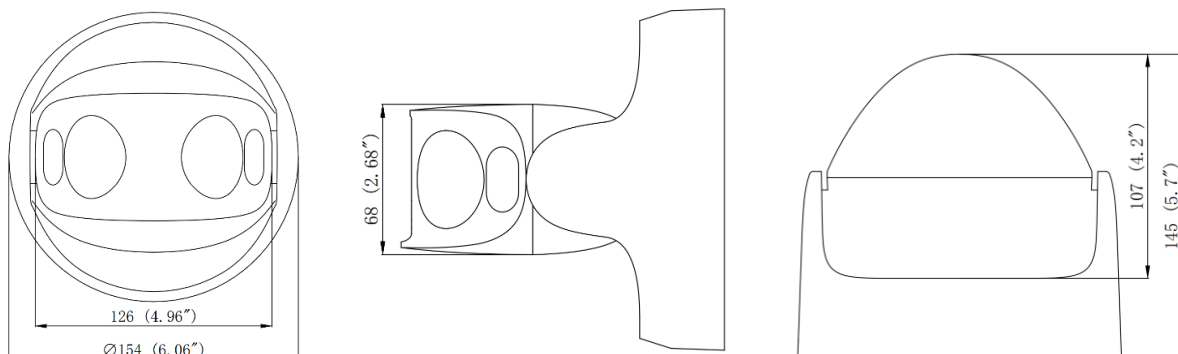
Camera Module					
Image sensor	1/2.5" progressive scan CMOS sensor ,x2pcs				
Max resolution	4320x1680				
Mini. Illumination	Color: 0.3Lux @ (F1.0, IRE 50); B/W:0.015lux@(F1.0,IRE 50); 0 Lux with white LED				
Image setting	Saturation, Brightness, Contrast, Sharpness, AGC, etc. adjusted by client				
Shutter Speed	50Hz: 1/25 s – 1/25,000 s; 60Hz: 1/30s-1/30,000				
White Balance	Auto/Manual/Indoor/Outdoor				
Gain control	Auto/Manual				
Day & Night control	Auto/Manual ,time schedule				
Iris control	Auto/Manual				
SNR	≥52dB				
3D DNR	Auto/Manual				
AE Enhancement	BLC, HLC, DWDR				
Digital zoom	8x				
Electronical Stabilizer	N/A				
Optical Defog	N/A				
Privacy Mask	8 areas, up to 8 mask in the same frame				
EIS	N/A				
Picture overlay	Logo picture could be overlaid on video with 128x128pixels,24bits JPG format				
OSD overlay	max 15 characters/line, 8 lines, white or red font color				
Angle Adjustment	Vertical -5~+5°; Rotation ±75°				
Lens					
Focus Type	f=3.5mm, M12 mount, optical distortion <15%; x 2 sets.				
Image distance	1m-inf				
Aperture	F1.0				
IRCUT type	White light pass only				
DORI distance	Focus length	Detect(25px/m)	Observe(63px/m)	Recognize(125px/m)	Identify(250px/m)
	f=3.5mm	63.65m (295 f.t.)	25.26m (117 f.t.)	12.73m(39 f.t.)	6.36m(29.5 f.t.)
Panoramic					
Stitching FOV	Horizontal FOV:180°±5%; Vertical FOV: 65°±5%				
Stitching Method	Alpha-Blending				
Supplement light					
Distance	20m				
Type	Warm white light				
Smart Brightness	Yes, facial priority				
Network					
Main stream	1~21fps: 8M(4320x1680),6M(4096x1536),3M(2680x1080), 1.3M(1920x720)				
Sub stream	1~30fps: (1280 x 480, 640 x 240, 480 x 160);				
Third Stream	1~30fps: (1920x720,640 x 240, 480 x 160)				
Video compression	H.265+/H.265/H.264+/H.264/MJPEG				
H.264 Standard	H.264/AVC codec BP/MP/HP, Level 5.1				
H.265 Standard	H.265/HEVC codec MP, level 5.0				
Video Bit Rate	64 Kbps to 16Mbps				
Audio compression	G.711 A/U				
Audio Bit Rate	64K bps				
Audio enhancement	N/A				
Protocols	HTTP, HTTPS, IPv4/IPv6, 802.1x, QoS, FTP, SMTP, UPnP, SNMP,DNS, DDNS, NTP, RTSP, RTCP, RTP, TCP/IP, UDP, DHCP, PPPoE,P2P				
User / Host	Up to 16 users, 3 levels: Administrator, Advanced User and Normal User				
Security Measures	User authentication (ID and PW), Host authentication (MAC address); HTTPS encryption, IEEE802.1x port-based network access control; IP address filtering				
API	ONVIF A/G/Q/S/T, support TVT SDK and third-party management platform				
Client	TVT N9000 1.5.0, TVT NVMS 2.0; and the third-party client, free iOS and Android App				
Web Browser	IE8-11 with plug-in; Edge, Chrome, Firefox with plugin free				
Smart Features					

Basic event	Motion detection, Video tampering alarm, Exception(Network disconnected, IP address conflict, SD full, SD error)
Face recognize	(Default off) Face detection, capturing, comparison, upload. Max 15 faces per scene
Counting	People/Vehicles flow/density/heat map
Smart Detection	Human or vehicles: Tripwire, Bi-directional tripwire, Illegal intrusion detection, Region entrance detection, Region exiting detection .etc. More VCA per request.
Object property	Human :gender, clothes, hat, eye-glass; vehicle :model, color, etc.(ver 5.1.3 and later)
System Integration	
Alarm Interface	1 Alarm input(Dry contact); 1 Alarm output
Alarm Linkage	Upload to FTP/memory card, notify surveillance center, send email, trigger alarm output, trigger recording, trigger capture
Audio Interface	1 audio input, line level, 2.0-2.4Vpp,impedance 1KΩ; 1 audio output, line level, impedance,600Ω
Built-in Speaker & Mic	1Mic,1Speaker
Predefined voice	Max 10 voice track
Dual-way talk	Default built-in speaker and mic . Manual switch to ext. audio
Network Interface	1 RJ45 10M/100M Adaptive Ethernet
SD Card Slot	One MicroSD slot and chamber, up to 256G
RS 485	N/A
BNC	N/A
Reset button	Yes
Heater & Fan	N/A
Water removal	Lotus anti-water lens cover coating
General	
languages	Czech; English, German ; Hungarian ; Italian ; Japanese ; Korean ; Portuguese, Polish; Russian, Romanian, Spanish; Spanish(Mexico); Simplified Chinese; Turkish; Traditional Chinese, etc.
Power supply	DC12V±15% max 0.9A; PoE (802.3.af,class 3), Class 3, 36 V to 57 V, 0.35 A to 0.22 A, max12.5 W
Working condition	-40°C~60°C (-40°F ~ 140°F) IR off; Cold start>=-30°C(1 hour waiting); 90%RH
Storage condition	-40°C ~ 70°C ; ≤ 95% RH
Shield Material	Main body: Aluminum Alloy (ADC12), Glass Cover: Polycarbonate, Other: PC+GF15%
Weight& Dimensions	Approx. 1.3 Kg, Ø154mm x 145mm
Protection	6000V Lightning Protection, Surge Protection and Voltage Transient Protection
EMC safety	FCC,CE,KC, UKCA, 3C,BIS
Chemistry safety	ROHS, REACH, WEEE
Water/Impact safety	Water Ingress:IP67(excluding speaker), Vandal-proof:IK10 (including lens cover)
Eye Safety	IEC/EN 62471

Ordering information:

TD-6242E3N(A/PE/WR2)	2x4MP Stitching 180° Panoramic Full-Color Network Camera, MIC&speaker, IP67/IK10,DC12V/PoE,not include 12V power adaptor.
----------------------	---

Dimensions(mm/inch):



Accessories:

● Included:



Fast mounting adaptor



● optional:



DC12V2.5A
Power adaptor



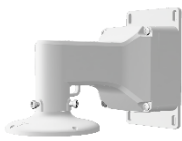
TD-YZJ0217
Wall mounting bracket



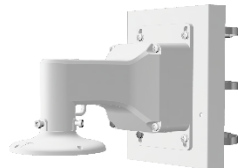
TD-YZJ0217+TD-YZJ0502
Pole mounting bracket



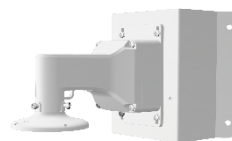
TD-YZJ0217+TD-YZJ0601
Corner mounting bracket



TD-YZJ0218
Wall mounting bracket
with junction box



TD-YZJ0218+TD-YZJ0502
Pole mounting bracket
with junction box



TD-YZJ0218+TD-YZJ0601
Corner mounting bracket
with junction box



YXH0303+YZJ0812
Pendant mounting bracket

* All pictures and texts are for reference only. Actual product may vary due to product enhancem

Shenzhen TVT Digital TECHNOLOGY CO.,LTD

Address: 23rd Floor, Block B4, Building No.9,Shenzhen Bay, Eco-Technology Park, Nanshan District, Shenzhen, Guangdong Province, P.R.China

Tel: +86-755-36995888

Web site: <http://en.tvt.net.cn>

Fax: +86-755-33104777

E-mail: overseas@tvt.net.cn