

HM-TD2138-10/G0/T1Y(L) Thermographic Network Bullet Camera



Thermal Network Bullet Camera can be applied in critical infrastructures such as: substations, hydropower stations, waste incineration plants, manufacturing workshops, etc. With the vanadium oxide uncooled focal plane sensor, it enhances the thermal image quality.

- 384 × 288 resolution, 12 μm , VOx UFPA, NETD < 25 mK (25°C, F1.0)
- Image processing technology: linear, histogram, self-adaptive thermal AGC mode, DDE, 3D DNR
- High quality detector with 10 years guarantee

▪ Specification

Thermal Module	
Image Sensor	Vanadium Oxide Uncooled Focal Plane Arrays
Resolution	384 x 288
Pixel Pitch	12 μm
NETD	$\leq 25 \text{ mK}$ (@25° C, F# = 1.0)
Focal Length	9.7 mm
IFOV	1.24 mrad
Aperture	F1.0
Field of View	26.5° × 19.8° (H × V)
Min. Focusing Distance	1.5 m
Digital Zoom	×2, ×4, ×8
Image Effect	
EIS	Support
Video and Audio	
Main Stream	25 fps (1280 × 720P, 704 × 576, 352 × 288, 384 × 288)
Sub-stream	25 fps (704 × 576, 352 × 288, 384 × 288)
Third Stream	25 fps(1280 × 720P, 704 × 576, 352 × 288, 384 × 288)
Video Compression	Main Stream: H.265/H.264 Sub-Stream: H.265/H.264/MJPEG
Audio Compression	G.722.1/G.711ulaw/G.711alaw/MP2L2/G.726/PCM
Network	
Protocols	IPv4/IPv6, HTTP, HTTPS, 802.1x, QoS, FTP, SMTP, UPnP, SNMP, DNS, DDNS, NTP, RTSP, RTCP, RTP, TCP, UDP, IGMP, ICMP, DHCP, PPPoE, TP, Bonjour, SFTP, SRTP, TLS
Network Storage	MicroSD/SDHC/SDXC card (up to 256 G) local storage, NAS (NFS, SMB/CIFS), Auto Network Replenishment (ANR)
API	ISAPI, ISUP, HIKVISION SDK, and third-party management platform, Open Network Video Interface, ONVIF (Profile S, Profile G)
Simultaneous Live View	Up to 20 channels
User/Host level	Up to 32 users, 3 levels: Administrator, Operator, User
Security	User authentication (ID and password), MAC address binding, HTTPS encryption, IEEE 802.1x access control, IP address filtering
Client	iVMS-4200, Hik-Connect
Interface	
Alarm Input	2, alarm input (0-5 VDC)
Alarm Output	2-ch, relay outputs (alarm response actions configurable)
Alarm Action	SD recording/Relay output/Smart capture/FTP upload/Email linkage
Audio Input	1, 3.5 mm Mic in/Line in interface Line input: 2 - 2.4 V [p-p], output impedance: 1 K Ω \pm 10%

Audio Output	Linear level, impedance: 600 Ω
Communication Interface	1, RJ45 10 M/100 M Self-adaptive Ethernet interface. 1, RS-485 interface (half duplex)
Analog Output	1.0V [p-p]/75Ω, PAL/NTSC/BNC
General	
Menu Language	32 languages English, Russian, Estonian, Bulgarian, Hungarian, Greek, German, Italian, Czech, Slovak, French, Polish, Dutch, Portuguese, Spanish, Romanian, Danish, Swedish, Norwegian, Finnish, Croatian, Slovenian, Serbian, Turkish, Korean, Traditional Chinese, Thai, Vietnamese, Japanese, Latvian, Lithuanian, Portuguese (Brazil)
Power Supply	24 VAC ± 25%, 12 VDC ± 25%, 24VDC two-core terminal block PoE (802.3af, class 3)
Power Consumption	24 VAC ± 25%: 0.33 A to 0.55 A, max. 14 W 12 VDC ± 25%: 0.8 A to 1.33 A, max. 12 W PoE (802.3af, class 3): 36 V to 57 V, 0.33 A to 0.21 A, max. 12 W
Working Temperature/Humidity	Temperature: -40°C to 70°C (-40°F to 158°F) Humidity: 95% or less
Protection Level	IP67 Standard TVS 4000V lightning protection, surge protection, voltage transient protection IK10-rated housing NEMA 4X anti-corrosion housing
Dimensions	351.3 mm × 113.5 mm × 115.2 mm (13.83" × 4.47" × 4.53")
Weight	Approx. 1.77 kg (3.90 lb)

▪ DORI

* The table is only for reference and the performance may vary according to different environment.

* The optimal human detection, recognition, and identification distances are calculated according to Johnson's Criteria.

Detection Range: In order to distinguish an object from the background, the object must be covered by 1.5 or more pixels.

Recognition Range: In order to classify the object (animal, human, vehicle, etc.), the object must be covered by 6 or more pixels.

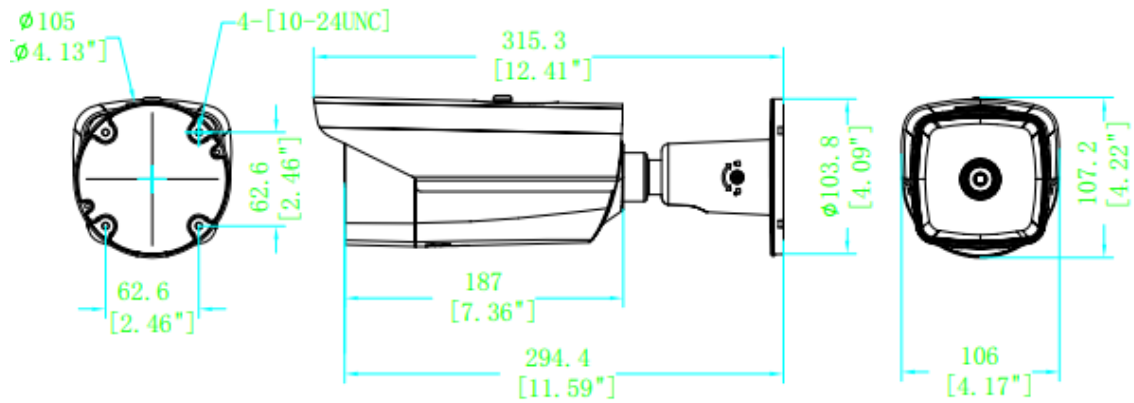
Identification Range: In order to identify the object and describe it in details, the object must be covered by 12 or more pixels.

Detection Range (Vehicles: 1.4 × 4.0 m)	Detection Range (Humans: 1.8 × 0.5 m)	Recognition Range (Vehicles: 1.4 × 4.0 m)	Recognition Range (Humans: 1.8 × 0.5 m)	Identification Range (Vehicles: 1.4 × 4.0 m)	Identification Range (Humans: 1.8 × 0.5 m)
1239 m	404 m	310 m	101 m	155 m	51 m

▪ Available Model

HM-TD2138-10/G0/T1Y(L)

▪ Dimension



▪ Accessory

▪ Included

DS-1260ZJ-AC#SA
Junction box



▪ Optional

DS-1276ZJ-SUS
Corner mount



DS-1275ZJ-S-SUS
Vertical pole mount



COMPLIANCE NOTICE: The thermal series products might be subject to export controls in various countries or regions, including without limitation, the United States, European Union, United Kingdom and/or other member countries of the Wassenaar Arrangement. Please consult your professional legal or compliance expert or local government authorities for any necessary export license requirements if you intend to transfer, export, re-export the thermal series products between different countries.